

Digital ADSL Regenerator (DAR)

DSLAM Repeater

Infinite Reach ADSL

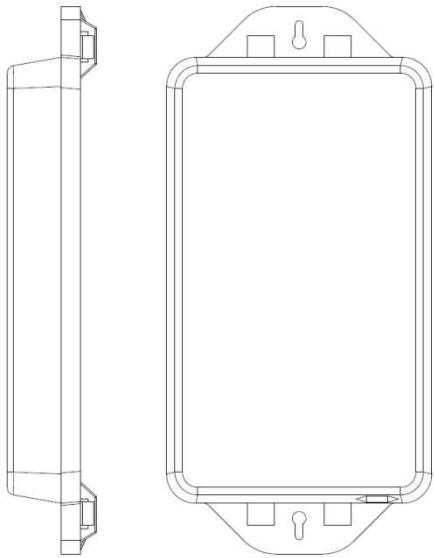
DAR Purpose

- Loop Extenders operate by analog amplification, but there is a limit to the total distance that can be reached.
- Digital Regenerator returns the signal to its original digital state then regenerates the transmission signal.
- Increases range and allows signal to be repeated as many times as needed, no limits.

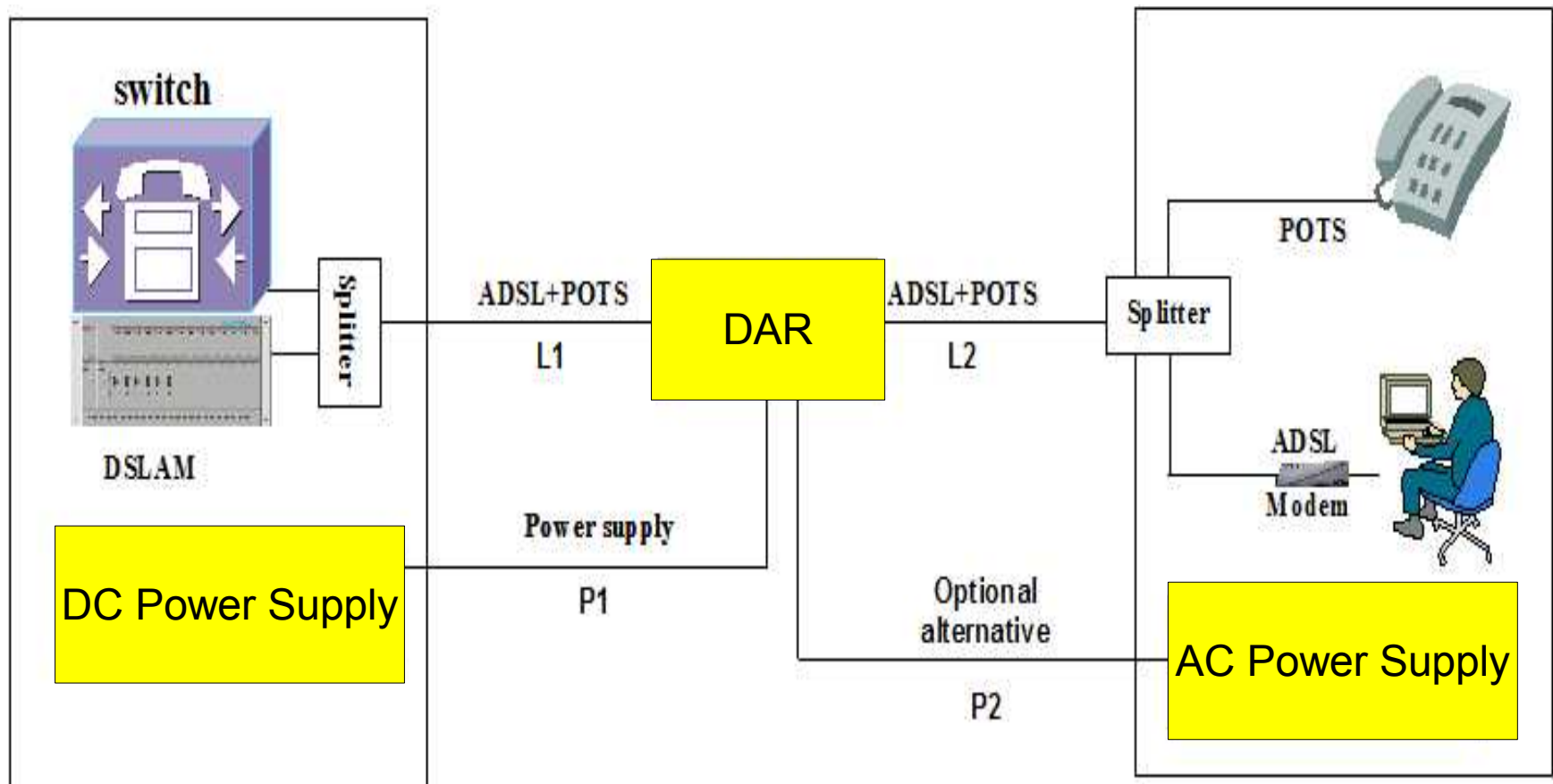
DAR Benefits

- DSLAM alternative
- No need for fiber or local power
- More cost effective in low density areas
- Infinite Reach ADSL – no subscriber left behind
- Any bandwidth available at any distance

DAR

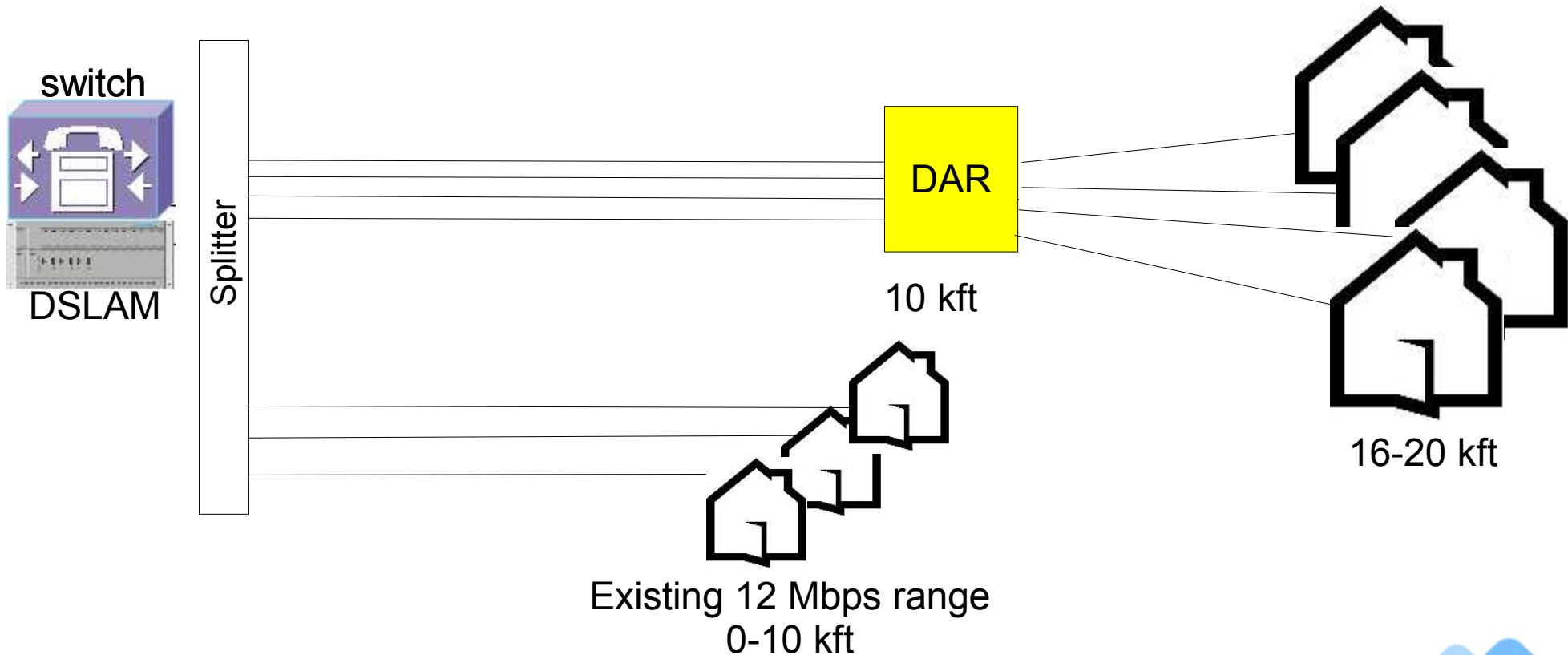


Architecture



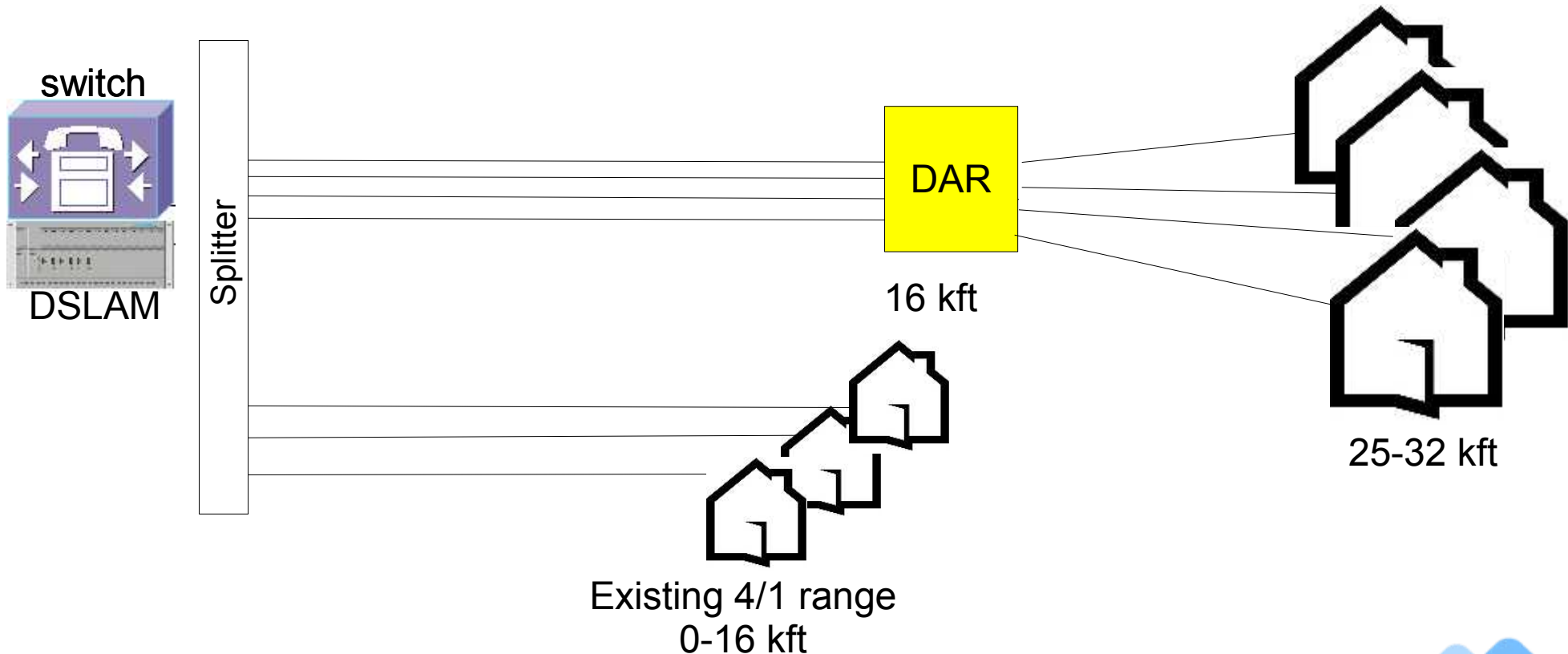
ipTV 12 Mbps

(24 AWG)



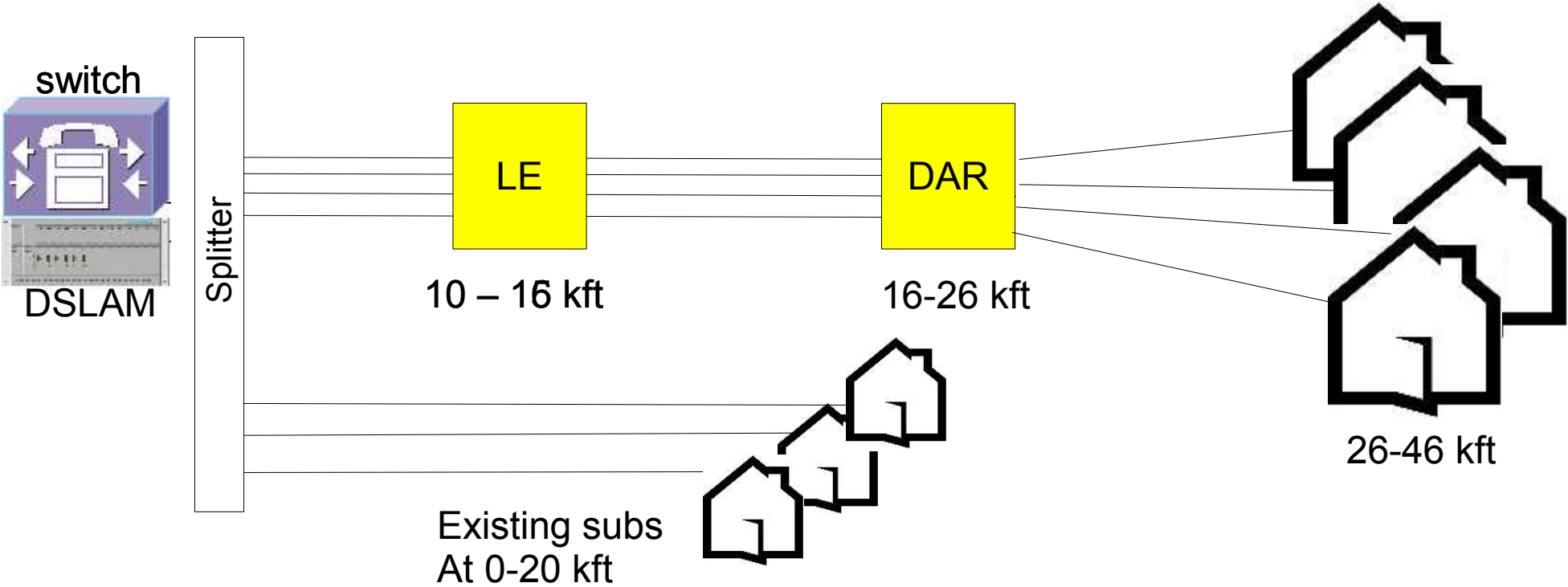
Meeting CAF Standards 4 Mbps down / 1 up

(24 AWG)



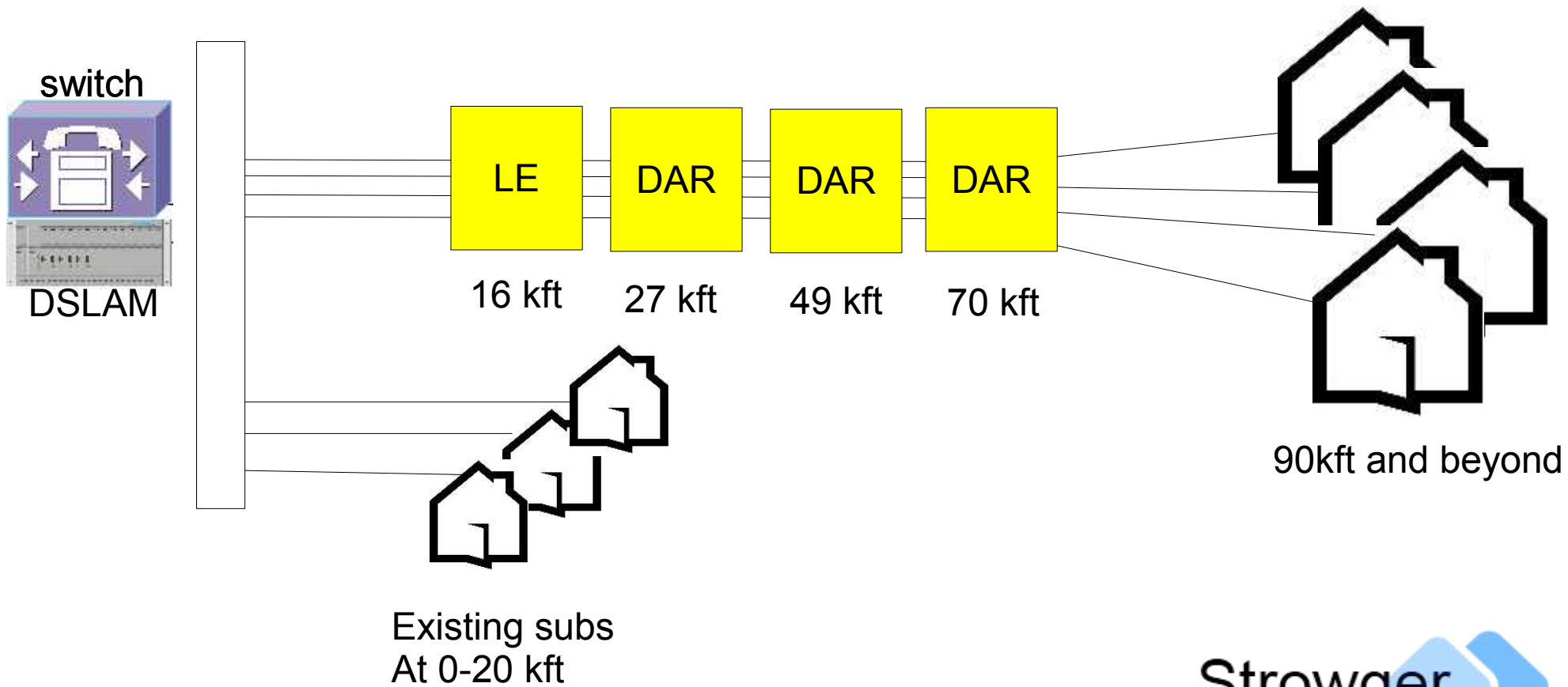
Extending your existing Service Area

(24 AWG)



Infinite Reach

(24 AWG)





Where to install Regenerator?

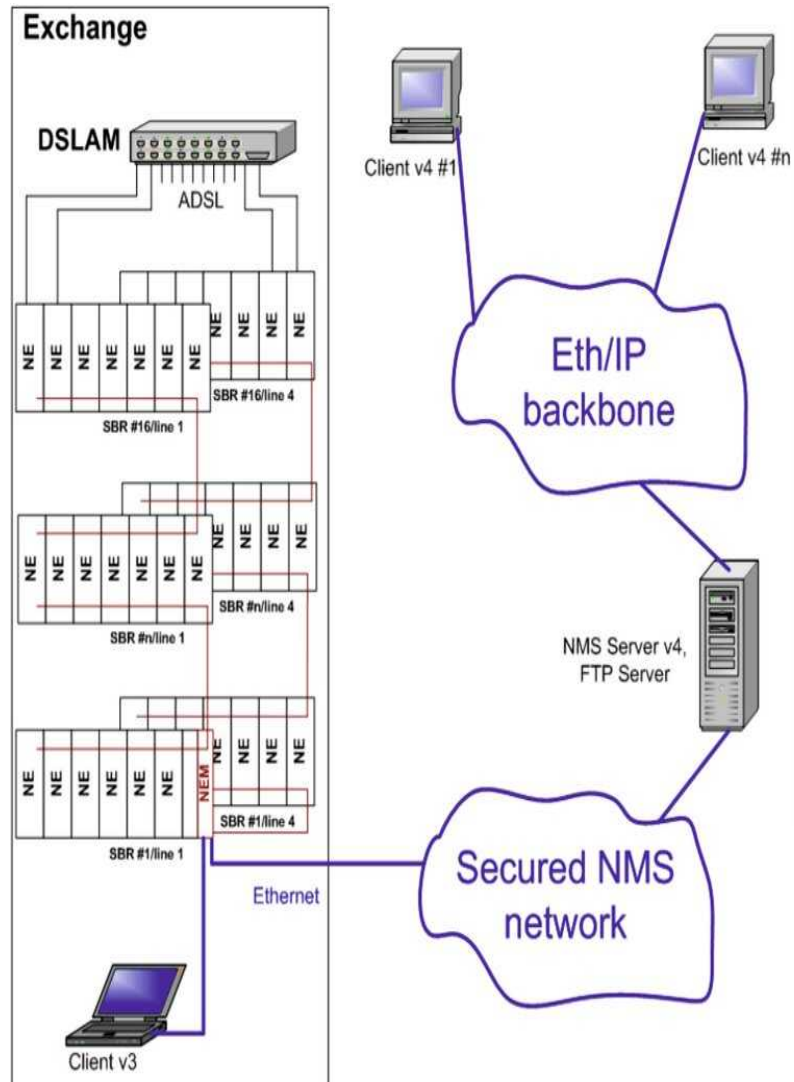


Beyond your ADSL serving area!

DAR Specs

- 4 ports
- Requires one 310vDC power pair or two 155vDC power pairs
- Power provided by Network Management System or by AEC power supplies.
- 2.6 Watts per subscriber + 2.8 Watts
- Power reach 1400 ohms for 4 subscribers

Optional Power and Management System



Optional Power and Management System

- Full configuration and monitoring control.
- RACK – 19 inch, 14 slots, 48vDC input
- Power Card – 4 power supplies per card, 165vDC or 330vDC output.
- Network Management Card – 100BaseT connection to your internal network

One Family

Product	Benefits		
ADSL Loop Extender	40% distance improvement	Line Power optional	\$150-\$250 per subscriber
Digital ADSL Regenerator	100% distance improvement, infinite reach	Line Power not available	\$350 per subscriber

Price List – Unmanaged System

AEC-B1PH-D48 qty 2	Power Supply	\$ 90
DAR420-4P-LE DAR420-4P-DSLAM	Digital ADSL Regenerator (DAR), 4 Port With custom pre-configuration	\$ 920.30

Price List – Managed System

DAR-NEM	Network Management Control Card	\$ 454.86
DAR-R4P	Express Power Card for Mgt Sys	\$ 476.02
DAR-RACK	19" Rack for management system	\$ 444.28
DAR420-4P	Digital ADSL Regenerator (DAR), 4 Port	\$ 899.14

Advanced Uses Loop Extender Mode

One product two operation modes

DSLAM mode –

- Uses full ADSL power, just like a DSLAM.
- Any ADSL that passes this regenerator point must go through the regenerator.
- Improves reach by 100%.
- This is the **DEFAULT** config.

Loop Extender mode-

- Uses a reduced power level friendly to other services on adjacent pairs.
- Compatible with other services on adjacent pairs.
- Improves reach by 60%.
- Requires custom configuration

Loop Extender Mode

- DAR420-4P-LE \$920.30 with custom pre-configuration
- Must be configured specifically for the installation point. Tell us the dB loss at the installation point when you order.

Thank You

- Strowger, Inc.
- www.strowger.com
- Office number: (816) 272-1826

Information contained in this presentation is covered by non-disclosure agreements and should not be re-distributed outside your company without permission from Strowger.



Footnotes

- In LE mode $L2 < 0.6 \times L1$
- Maximum aggregate downstream throughput is 52 Mbps
- To predict performance in LE mode use bandwidth estimator ipTV column
- To predict performance in DSLAM mode break the circuit in two and use bandwidth estimator 'no extender' column to estimate both L1 and L2.
- In August, a new autoPSD (auto gain) feature will eliminate the dB pre-configuration requirement